

Cavea™ Fixed Audience Seating

- Designed by experts in seating ergonomics for optimal comfort
- Seat and back contours help position the occupant's body for proper posture and comfort
- Specific cushion density and patented webbed support system provide ideal comfort for the duration of performances
- Tubular steel inner seat structure will support 600 lb (272 kg) of weight on the front edge of seat
- Curvature of the armrest provides proper support and placement of occupant's arms and wrists

Product Specifications

- Seat rise mechanism is a 3/4 fold, noise dampening gravity rise system; it reduces noise and allows the seat bottom to be pushed back to allow more aisle space for people to pass
- Seat and back cushions designed with cold molded closed cell polyurethane foam covering patented structural steel support and inner seat mesh; foam thickness of 2" (51 mm) in the back and 3" (76 mm) in the seat
- Seat design with fully enclosed components eliminates any pinch points
- Having no exposed fasteners provides a clean look and reduces tampering with the seats
- "Drop-in" assembly reduces installation time and eliminates excess brackets and fasteners
- Compact seating envelope of 16-3/4" (425 mm) maximizes seating capacity without compromising comfort
- Black electrostatic powder-coat paint finish on standards
- Injection molded high-density polypropylene with minimum tensile strength of 3300 psi (22753 kPa), textured and scuff-resistant black surface finish
- California Technical Bulletin 117-2013 compliant
- Ten-year warranty

Configurable Options

- Seat Widths:

19" (483 mm)	20" (508 mm)	21" (533 mm)	22" (559 mm)
--------------	--------------	--------------	--------------

- Seat and Back Fabrics: Hundreds of standard fabric options available or let us know your pre-selected option
- Seat Options: Choose from polypropylene seat bottoms and back for maximum durability; or upgrade to real wood options for a distinctive look
- Armrest Options: Available in polyurethane or wood choices
- Wood Options: Wide selection of stain choices available for upgraded wood options
- Standard Options: Upright standards can be floor or riser mounted; available with or without aisle end panels



Shown with Wood Seat Bottoms, Backs, Arm Rests and Aisle Light

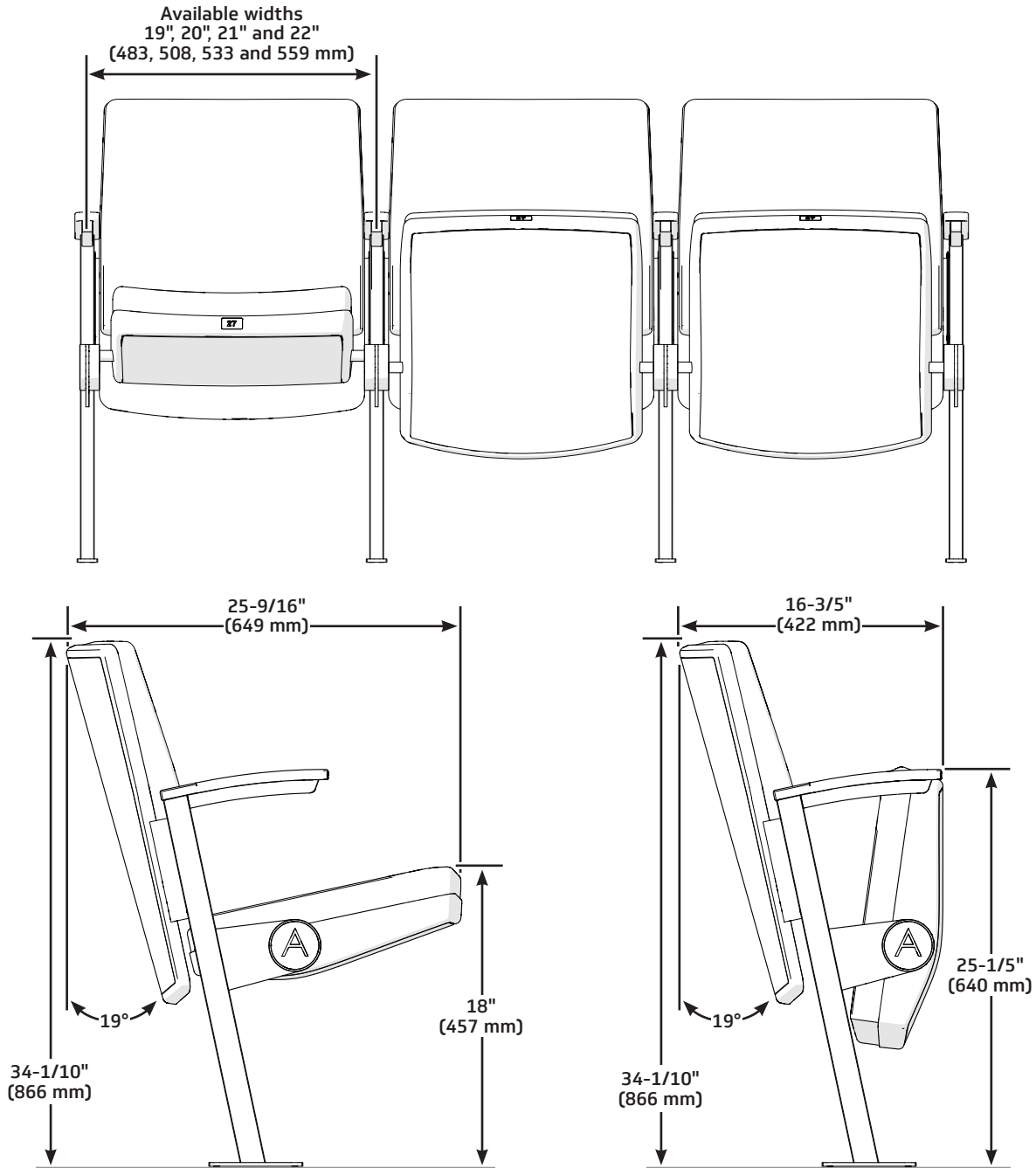


Shown with Polypropylene Seat Bottoms, Backs and Arm Rests

Optional Features and Accessories

- Row, seat and donor plates
- Floor and riser mount options
- Aisle lighting for safety and ambiance (beacon or recessed)
- Hundreds of fabric color and wood stain options
- Companion seating, ADA swing-out panels and ADA tip-up arm rests to ensure your venue is accessible and code compliant
- Front or rear mounted cup holders
- Folding tablet arms
- Power and data options

Dimensions



Wenger®

JRCLANCY

GEARBOSS®

© 2024 Wenger Corporation
USA/2024-03

Minnesota Location

Wenger Phone 800.4WENGER (493-6437) Wenger Worldwide +1.507.455.4100 | Parts & Service 800.887.7145 | wengercorp.com

GearBoss Phone 800.493.6437 | gearboss.com

555 Park Drive, PO Box 448 | Owatonna | MN 55060

New York Location

J.R. Clancy Phone 800.836.1885 JR Clancy Worldwide +1.315.451.3440 | jrclancy.com | 7041 Interstate Island Road | Syracuse | NY 13209